

Spare parts - Version 1
Serial number: 2008+

 **EUROBOOR**
FOR PROFESSIONALS BY PROFESSIONALS

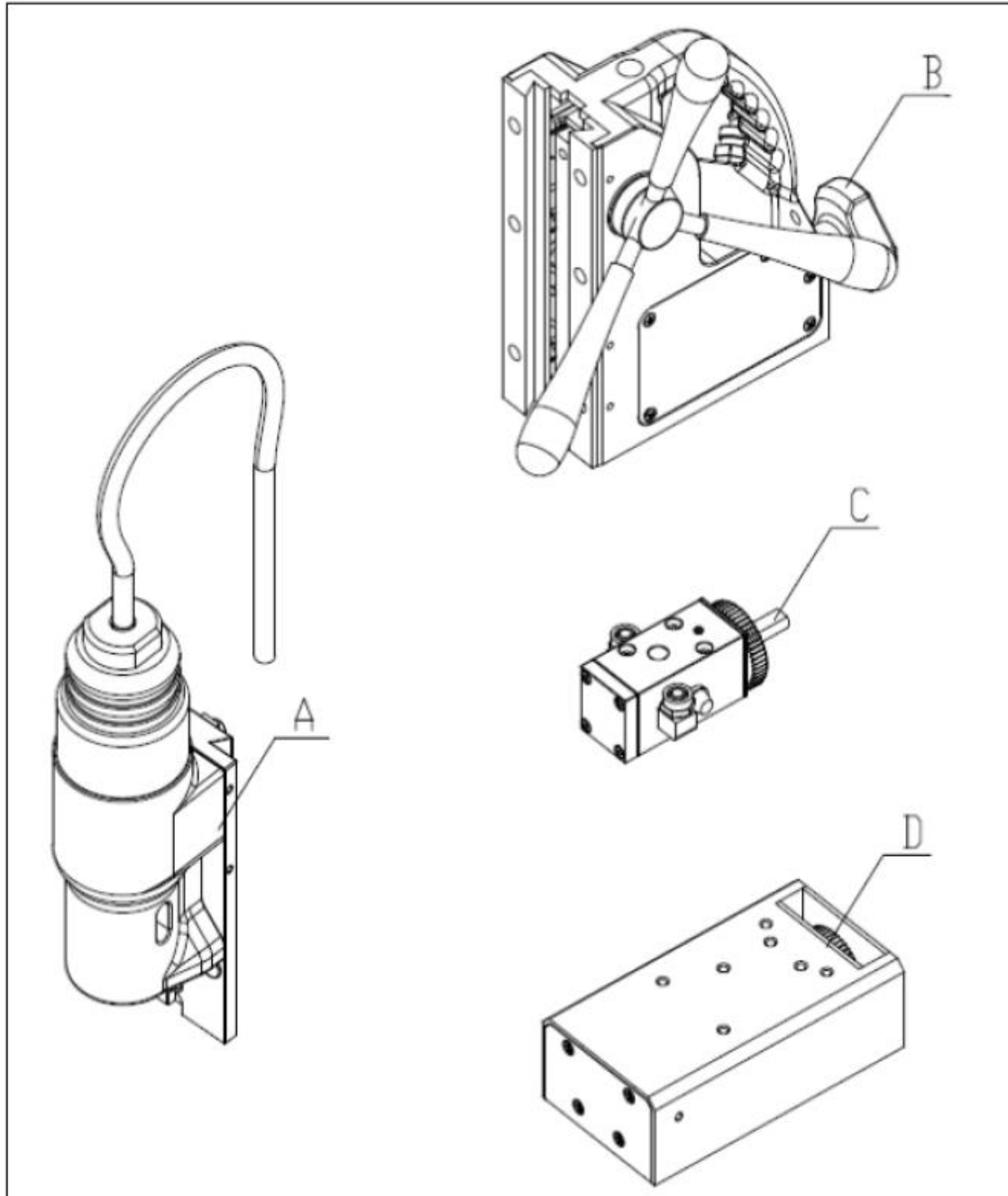
Pneumatic drilling machine

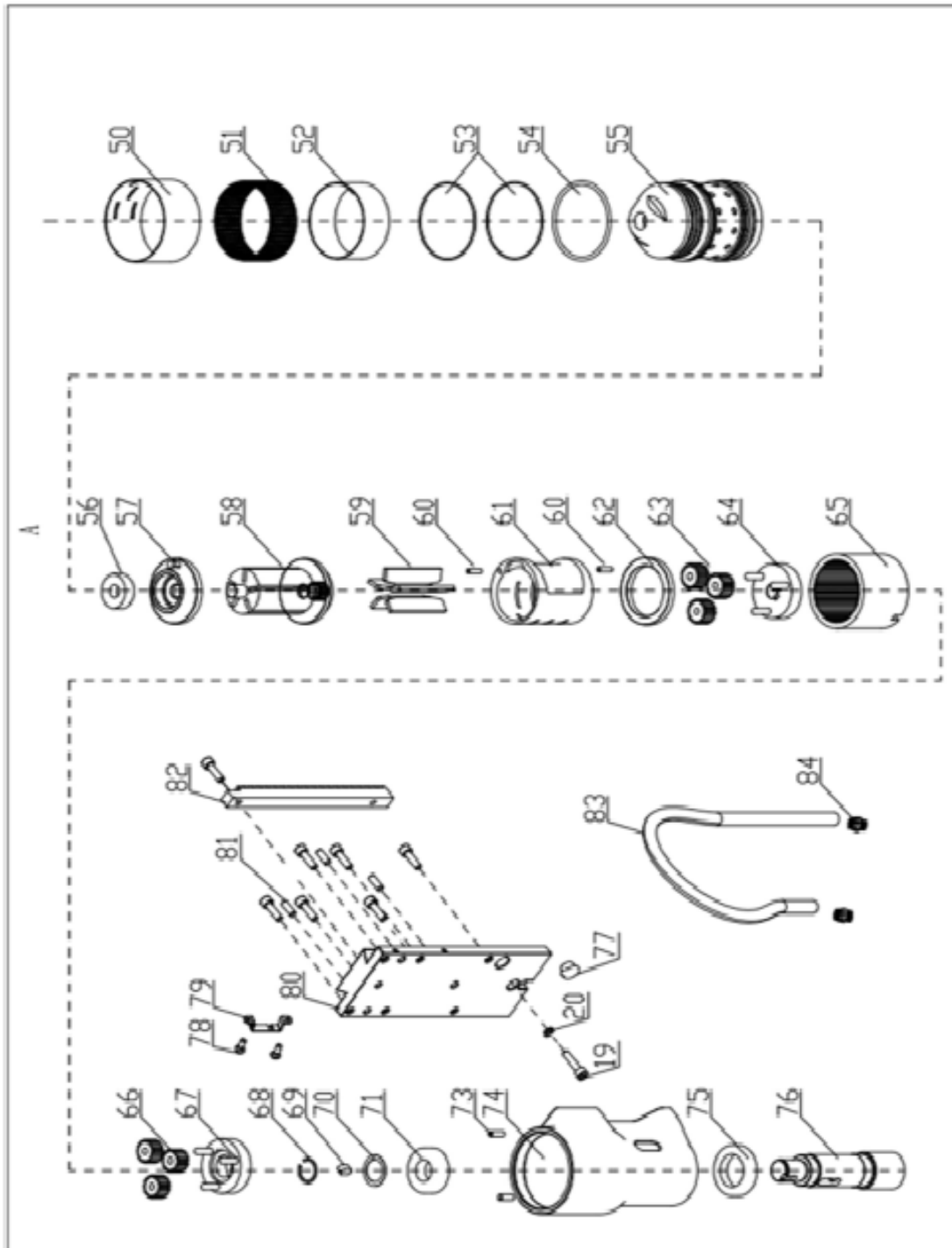
AIR.55 – V1

Is your serial number missing? Please contact Euroboor and ask them for more information.

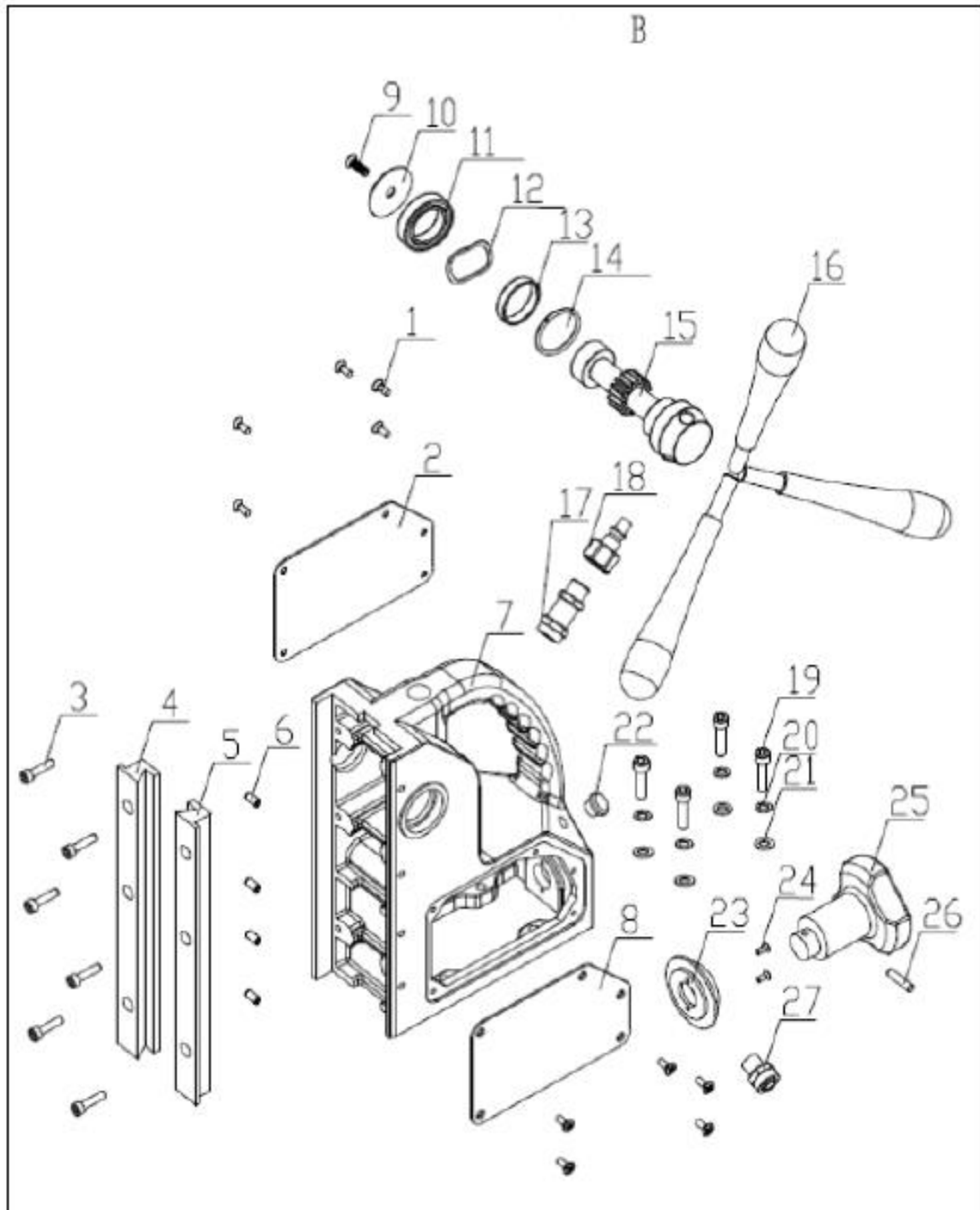
Last update: November 12th, 2020

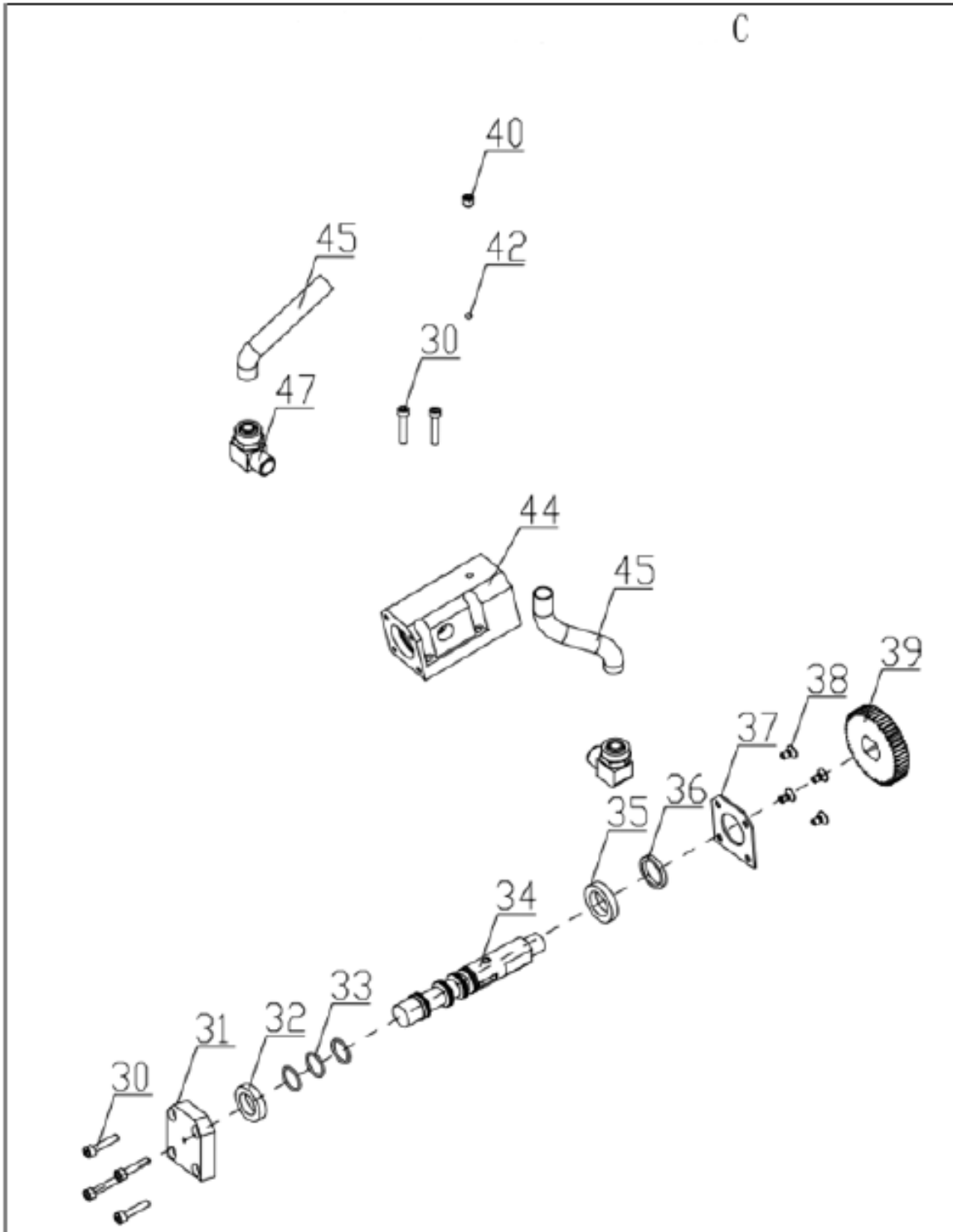
AIR.55 - Version 1 - Serial number: 2008+



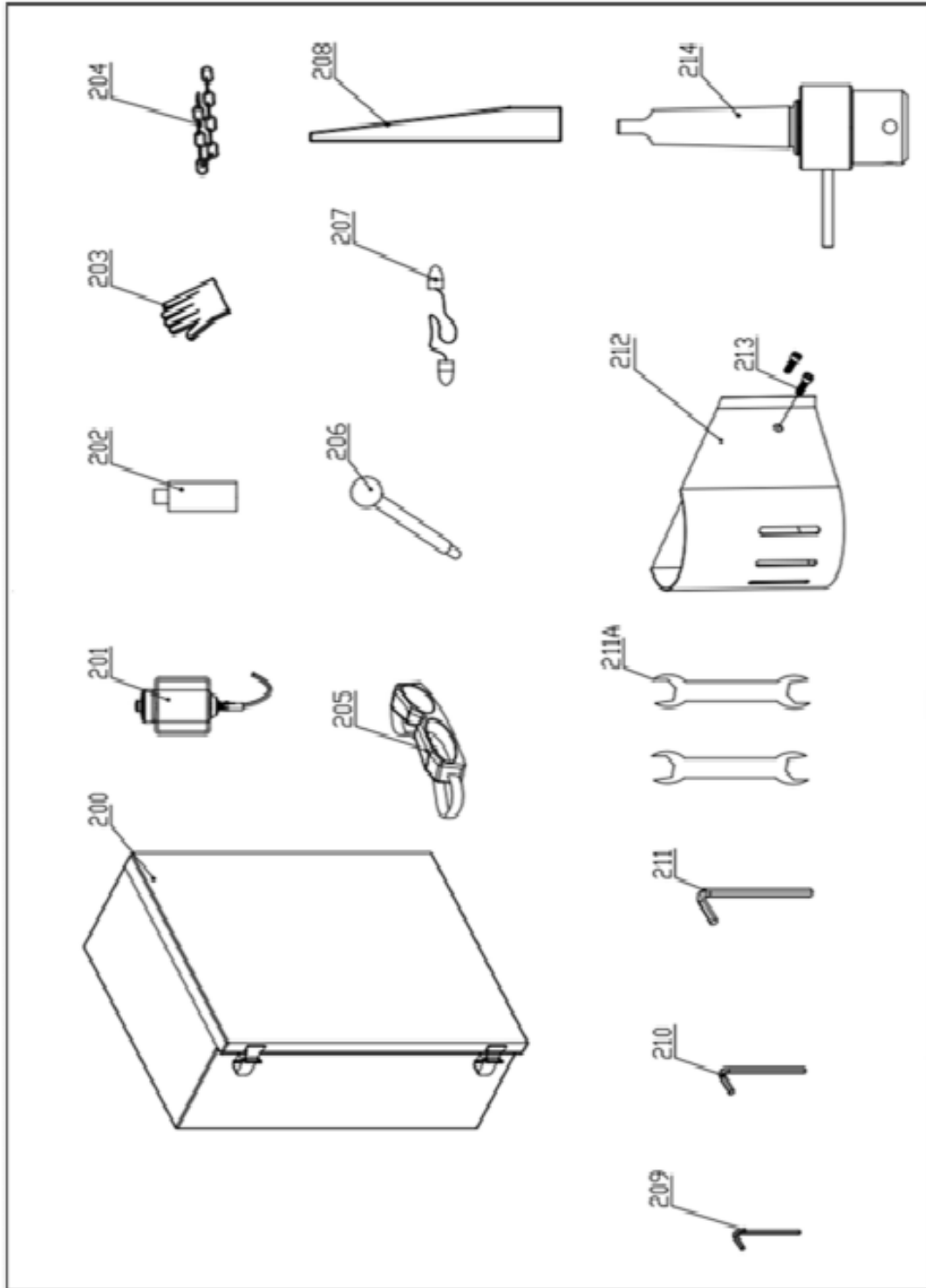


AIR.55 - Version 1 - Serial number: 2008+





AIR.55 - Version 1 - Serial number: 2008+



AIR.55 - Version 1 - Serial number: 2008+

No.	Part no.	Description	Qty
1	020.0101	Panel screw BKVZ M4 x 8	10
2	AIR.0006	Rear panel AIR.55	1
3	100.0022	Bolt M5 x 20	6
4	AIR.0002	Aluminium rail (L) 17x22.8x230	1
5	AIR.0003	Aluminium rail (R) 17x22.8x230	1
6	020.0056/S	Screw SS M5 x 6	4
7	AIR.0001	Frame AIR.55	1
8	AIR.0005	Front panel AIR.55	1
9	020.0081	End screw BKVZ M6 x 16	1
10	050.0030	Ender cover Ø36 X 3	1
11	050.0063	Bearing 6804 ZZ	1
12	040.0023	Washer	1
13	032.0127A	Adapter ring v2	1
14	030.0027	Washer	1
15	020.0061/Z	Capstan hub assembly	1
16	020.0315	Arm for capstan	3
17	AIR.A015	Connector assembly	1
18	AIR.0004	Quick connector M15 x 1	1
19	020.0156	Bolt M6 x 20	4-8
20	020.0111	Washer M6 DIN7980	1-4
21	020.0112	Washer M6	4
22	AIR.0042	Silencer 3/8"	1
23	AIR.0025	Gear spacing ring 30x17x10	1
24	AIR.0007	Screw M3 x 8	2
25	AIR.0008	Adjustment handle	1
26	AIR.0009	Pin 3 x 16	1
27	AIR.0081	Pneumatic joint 1/4"	1
30	020.0329	Screw M4 x 16	6
31	AIR.0010	Board 45 x 40 x 9.5	1
32	AIR.0011	Bearing 61802	1
33	AIR.0012	O-ring 17 x 1.5	3
34	AIR.0013-1	Valve stem 17 x 132	1
35	AIR.0011A	Bearing 61803	1
36	AIR.0014	Ring 22 x 17.5 x 2.8	1
37	AIR.0015	Board 45 x 40 x 2	1
38	AIR.0016	Screw M4 x 8	4
39	AIR.0017	Gear M1 x T50	2
40	020.0056/S	Screw SS M5 x 6	1

No.	Part no.	Description	Qty
42	AIR.0020	Steel ball 5	2
44	AIR.0022	Valve body 79.5 x 40 x 45	1
45	AIR.0023	Tube 12	2
47	AIR.0024	Right-angle air connection 1/4"	2
50	AIR.0043	Stainless steel tube cover	1
51	AIR.0044	Stainless steel mesh	1
52	AIR.0045	Silencer sponge	1
53	AIR.0046	O-ring 70 x 3.3	1
54	AIR.0047	O-ring 64 x 2.2	2
55	AIR.0048	Case	1
55A	100.0571	Circlip 471 11 x 1	1
56	AIR.0049	Bearing 6201Z	1
57	AIR.0050	Intake cover	1
58	AIR.A007	Armature	1
59	AIR.0053	Page	5
60	032.0211	Casing pin 4 x 12	2
61	AIR.0054	Field	1
62	AIR.0059	Limit ring	1
63	AIR.0060	Planetary gear	3
64	AIR.A005	Planetary gear carrier	1
65	AIR.0064	Ring gear	1
66	AIR.0066	Planetary gear	3
67	AIR.A006	Planetary gear carrier	1
68	050.0076	Circlip Ø20	1
69	050.0077	Key 6 x 6 x 12	1
70	050.0462	Washer 20.5 x 28 x 0.2	1
71	030E.5034	Bearing nsk 6004 ddu	1
73	100.0549	Casing pin	2
74	AIR.0067	Inner gear plate	1
75	050.0068	Bearing 61906 DDU	1
76	050.0461	Spindle drive shaft 34 x 146	1
77	AIR.0068	Sealing plug	1
78	KSP.M5	Screw M5 x 10	2
79	KSP.M/3	Tank holder	1
80	AIR.0070	Slide	1
81	AIR.0069	Pin 6 x 16	3
82	050.0074	Rack - 1.5X39T	1
83	AIR.0090	Hydraulic pipe	1

AIR.55 - Version 1 - Serial number: 2008+

No.	Part no.	Description	Qty
84	AIR.0091	Pipe joint M16 x 1.5	2
200	AIR.A009	Case for AIR.55	1
201	KSP.Q2	Coolant tank Quick Connect	1
202	IBO.0.2L	Bottle 0.2LTR	1
203	SAF.300	Protective gloves	1
204	SAF.400	Safety chain (1 mtr) with lock	1
205	SAF.100	Safety goggles	1
206	KSP.P	Pin and knob for cooling tank	1
207	SAF.200	Ear plugs	1

No.	Part no.	Description	Qty
208	DRIFT3	Drift MT3	1
209	IMB.US2.5	Allen key 2.5 mm	1
210	IMB.US4	Allen key 4.0 mm	1
211	IMB.US5	Allen key 5.0 mm	1
211A	AIR.0094	Open end wrench 19/22	2
212	SAF.MDMB	Safety guard	1
213	020.0223	Screw M5 x 10	2
214	080.2002A	Arbor MT3 - 19.05 (3/4") Weldon	1
D	AIR.A004	Magnet AIR.55	1